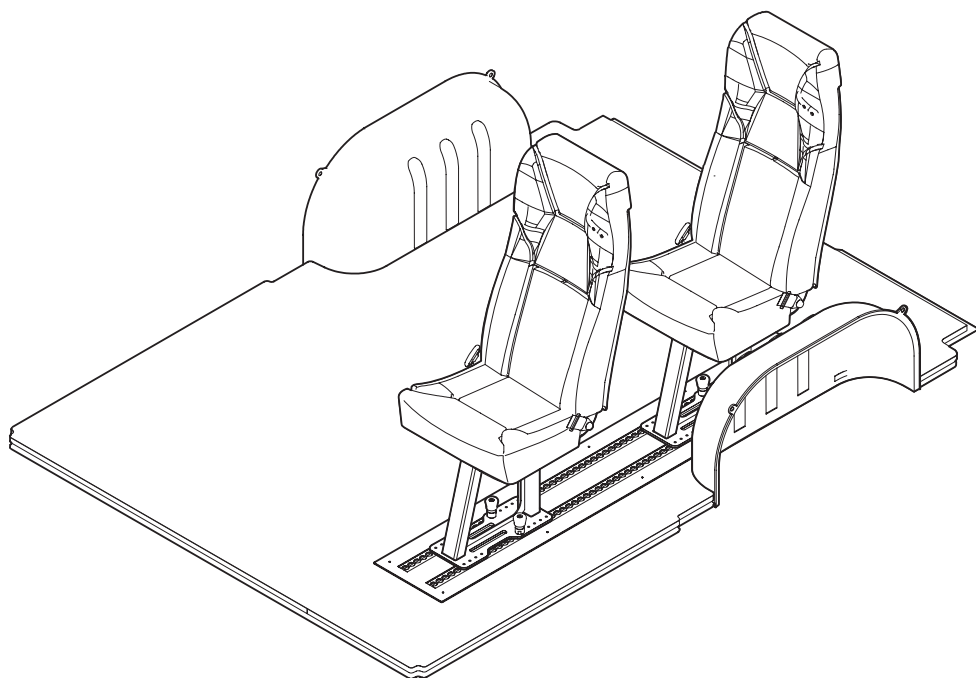


MOUNTING INSTRUCTIONS

EN

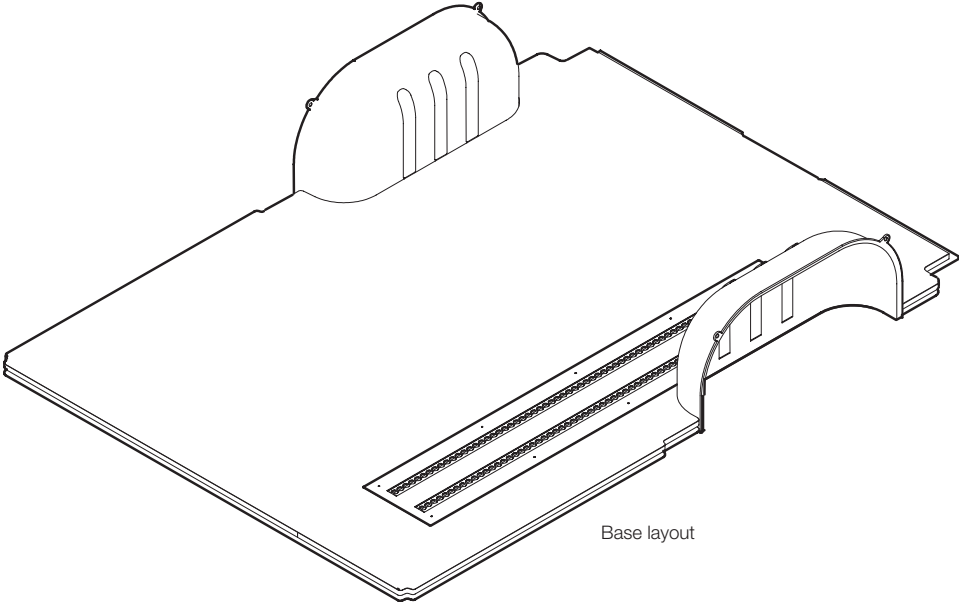
handiplate™

M1 LIGHTWEIGHT FLOOR

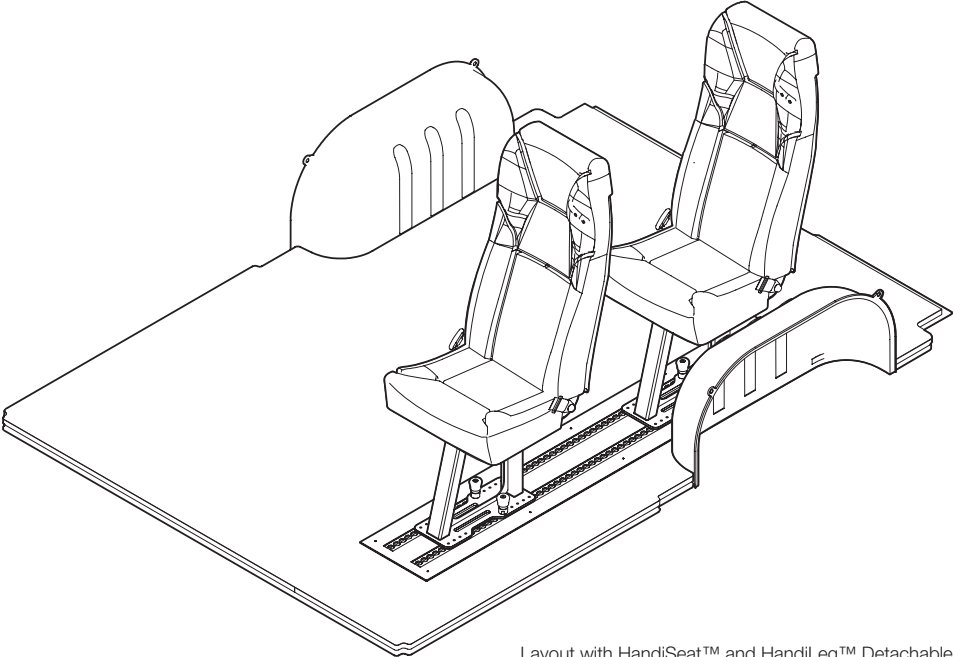


Overview

handiplate™ M1 LIGHTWEIGHT FLOOR



Base layout

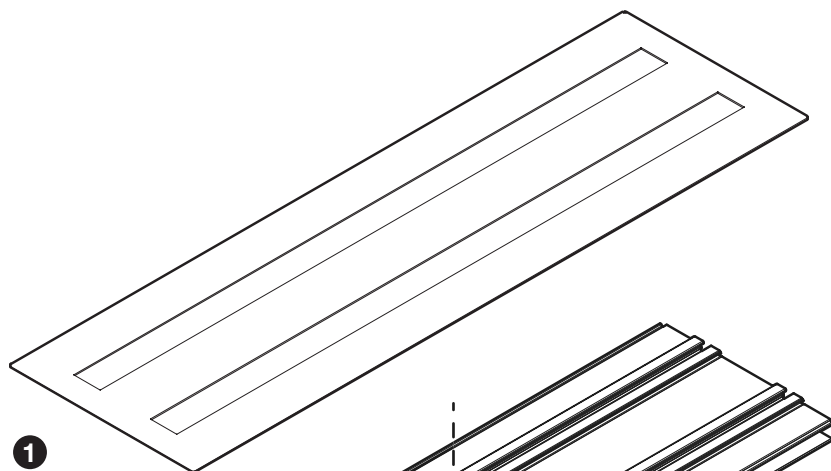


Layout with HandiSeat™ and HandiLeg™ Detachable

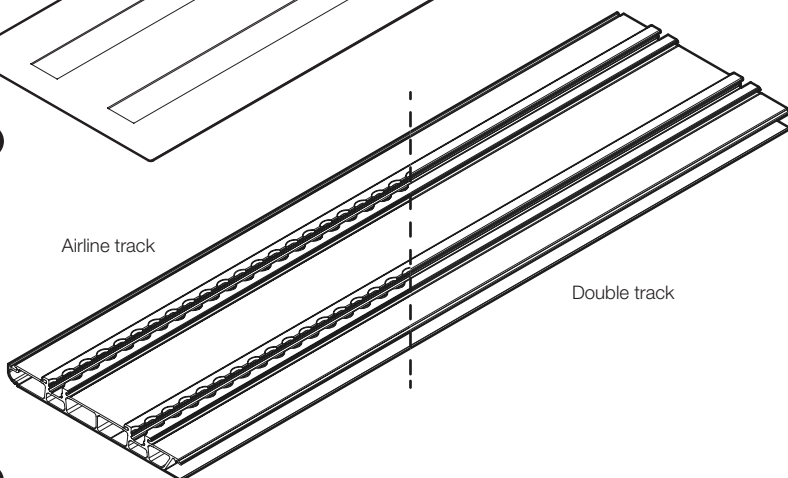
Package overview

handiplate™

M1 LIGHTWEIGHT FLOOR



1



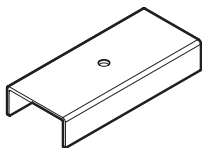
Airline track

Double track

2



3



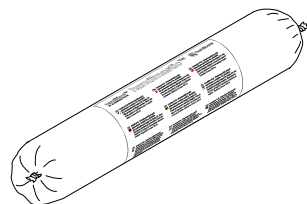
4



5



6



7

1 Cover plate

2 Airline or double track

3 Cover plate screw

4 451041-KAT (Reinforcement)

5 20067-1

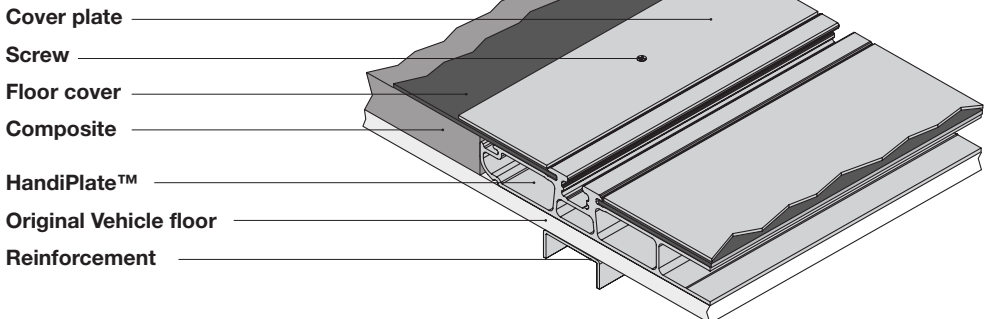
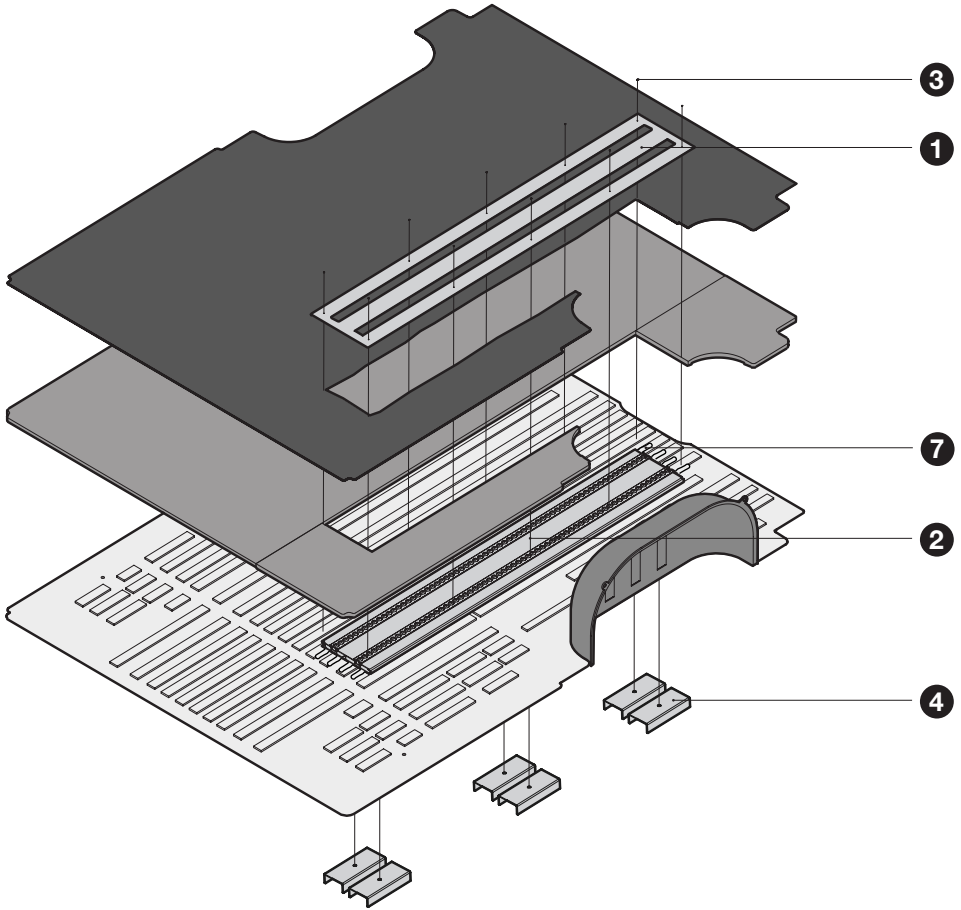
6 20067-2

7 HandiMastic™ 750 ml.

Package overview

handiplate™

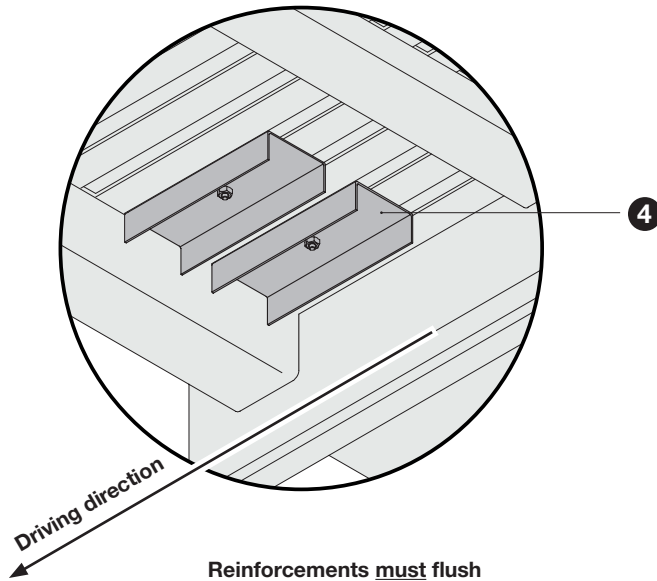
M1 LIGHTWEIGHT FLOOR



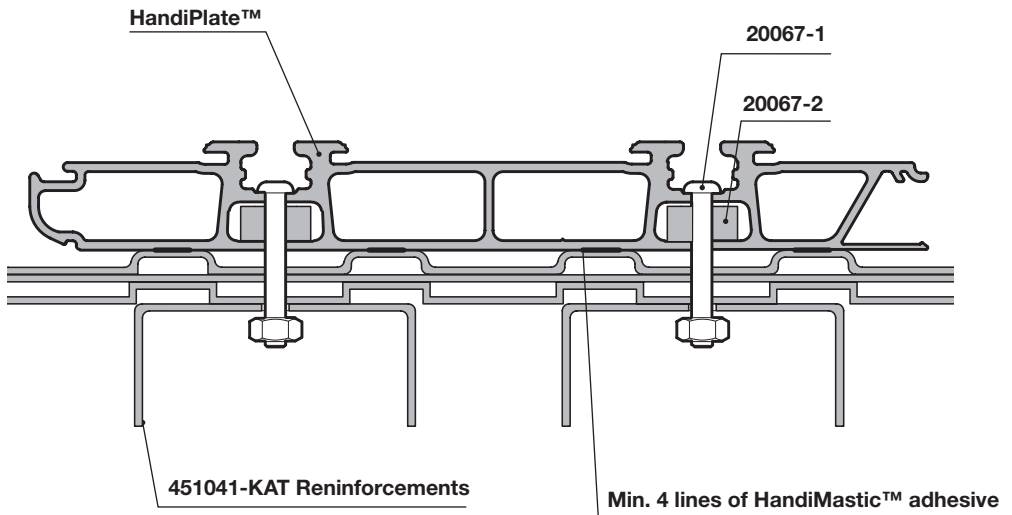
Overview

handiplate™

M1 LIGHTWEIGHT FLOOR



Reinforcements must flush
vehicle chassis in driving direction

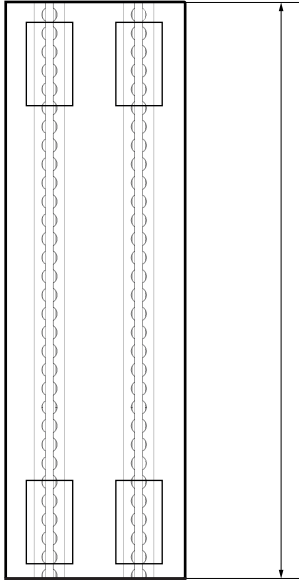


Layout example

Base layout - (1500 mm)

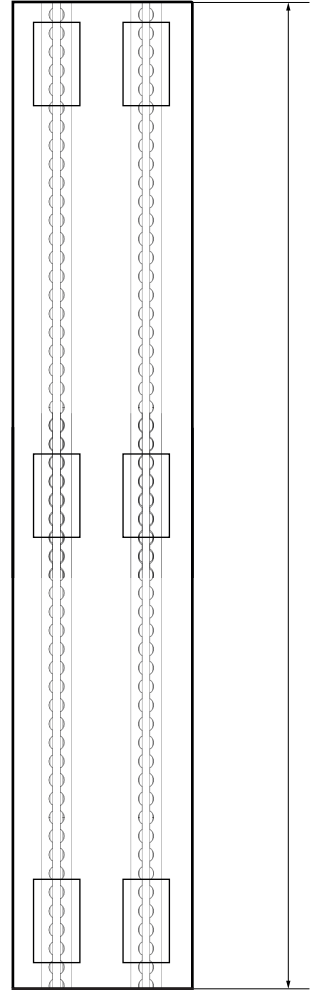
handiplate™

M1 LIGHTWEIGHT FLOOR



900 mm

4 x Reinforcements



Full length of vehicle

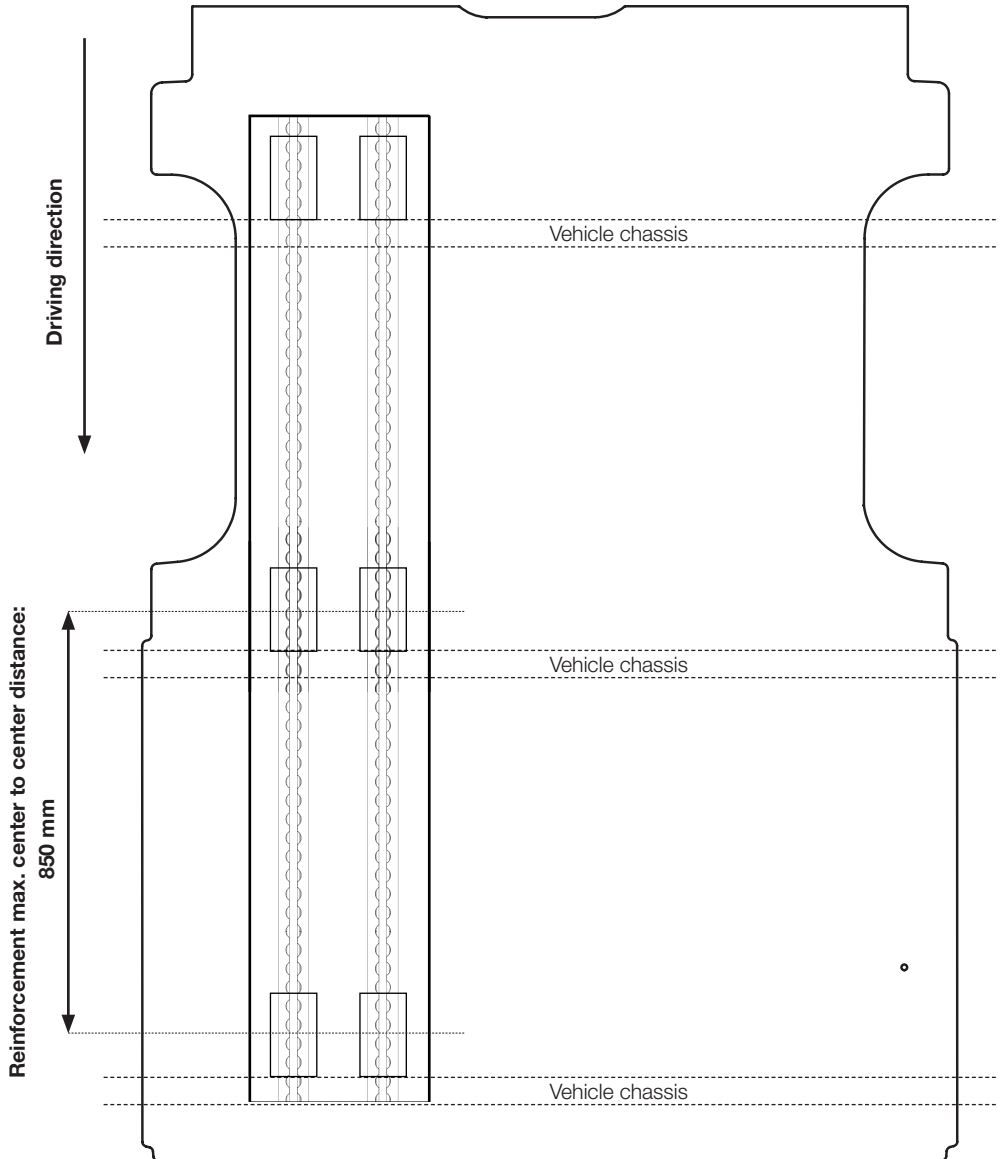
6 x Reinforcements

Shortest length 900 mm - 4 Reinforcements
+ 900 mm - Multiple Reinforcements*

Reinforcement max. center to center distance: 850 mm

Reinforcements

handiplate™
M1 LIGHTWEIGHT FLOOR



**Reinforcements must flush
vehicle chassis in driving direction**



handicare
AUTO PRODUCTS

Baggeskærvej 48

DK-7400 Herning

T +45 97 12 96 22

autoproducts@handicare.dk

handicare.dk